

KD10 Series

Description

The KD10 Series are direct-coupled spring return electric damper actuators, they are compact in size and are easily installed.

Application

The KD10 Series are typically designed for a variety of two-position, Spring Return damper applications. The KD10 uses a two wires thermostat control.

Features

- Quick damper opening and closing
- Available with adjustable end stop
- Direct-coupled to round shaft
- Hysteresis synchronous motor with an additional small spring to reduce gear train closing shock.

Specification

Power supply: 24 VAC, 50/60 Hz, 7.5VA

Control Signal: On/off

Angular Rotation: 0 to 93°

Torque: 30 oz. in (0.2 N.m), 30 seconds for 93°

Stroke speed:

Power open, 30 seconds for 93°

Spring return, 6 seconds

Mounting: For 5/16" round shaft

Dimensions:

3.3 x 2.7 x 3.5 inches (83 x 68 x 88 mm)

Weight: 1.1 lb. (0.5 kg)

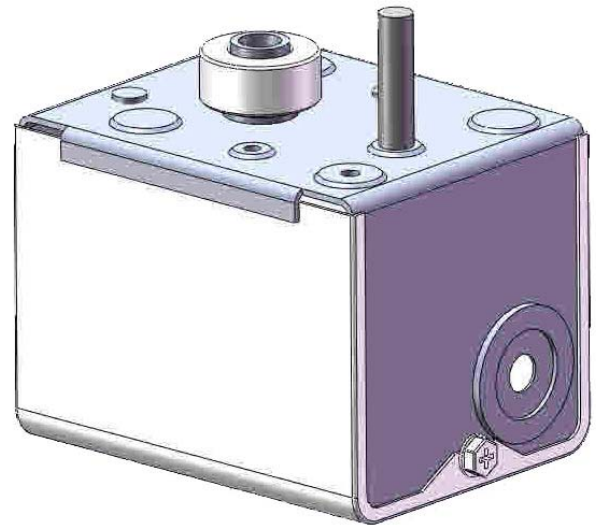
Enclosure: Stainless steel with Aluminum cover

Environmental Limits:

Operating 0 to 120°F (-17 to 49°C)

Shipping -40 to 169°F (-40 to 71°C)

Humidity 5 to 95% RH (non-condensing)



Dimensions (inch [mm])

